



UL-F20A

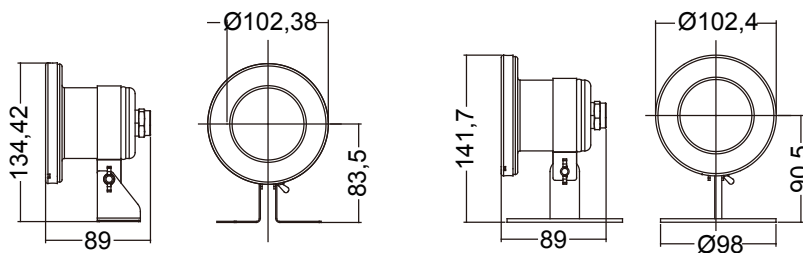
LED-F20A

**Stainless Steel Underwater Light for Fountain: F20 Series**

**Features**

- Material: AISI 304 / AISI 316 Stainless Steel
- Cable: 2.5m
- Waterproof: IP68
- Installation: Floor Mounted (Housing type)

Code	Model No	Description	Watt/Voltage	Lumination (LUX)	Remarks
88044407	UL-F20A	MR16 Halogen Lamp Fountain Light with base	20W / 12V	1039	White Light
88044307	LED-F20A	MR16 18 Bulbs LED Fountain Light with base	1W / 12V	130(Colour) 80(White)	Auto Colour Change / White

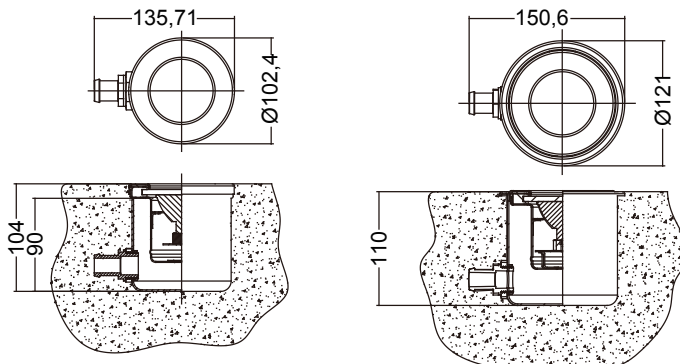


UL-F20

LED-F20

**Stainless Steel Underwater Light for Fountain: F20 Series**

Code	Model No	Description	Watt/Voltage	Lumination (LUX)	Remarks
88042807	UL-F20	MR16 Halogen Lamp Fountain Light with 90mm housing	20W / 12V	1039	White Light
88045407	UL-FL20	MR16 Halogen Lamp Fountain Light with 110mm housing	20W / 12V	1039	White Light
88044207	LED-F20	MR16 18 Bulbs LED Fountain Light with 90mm housing	1W / 12V	130(Colour) 80(White)	Auto Colour Change / White
88045436	LED-FL20	MR16 18 Bulbs LED Fountain Light with 110mm housing	1W / 12V	130(Colour) 80(White)	Auto Colour Change / White



MR16 Two-pin  
18LEDs Bulb



MR16 Halogen  
lamp

**LED bulb & light bulb for F20 &F20A Series**

Code	Model No	Description	Watt/Voltage	Lumination (LUX)	Remarks
04011016	N/A	MR16 Two-pin 18LEDs Bulb	1W / 12V	N/A	Auto Colour Change
04011015	N/A	MR16 Two-pin 18LEDs Bulb	1W / 12V		White Colour
04011034	N/A	MR16 Two-pin 18LEDs Bulb	1W / 12V		Blue Colour
04011001	N/A	MR16 Halogen lamp	20W / 12V	N/A	Colour lens (Red/Green/Blue)

