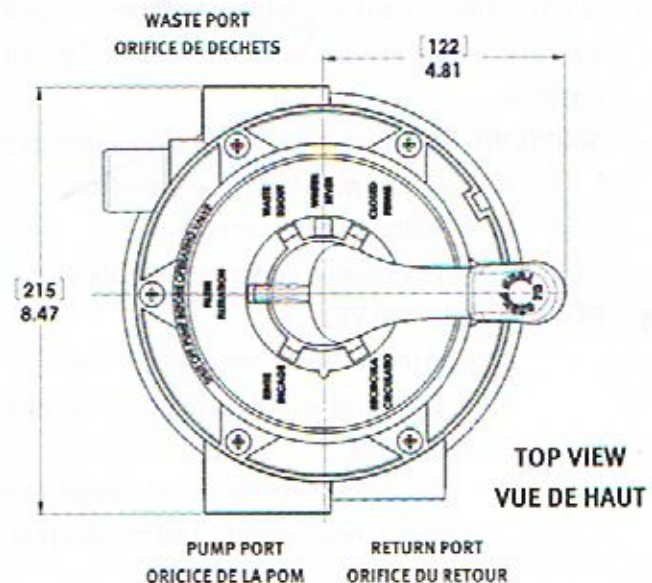
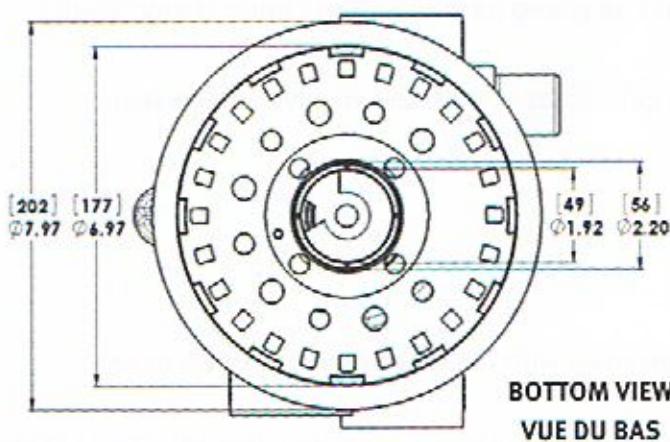
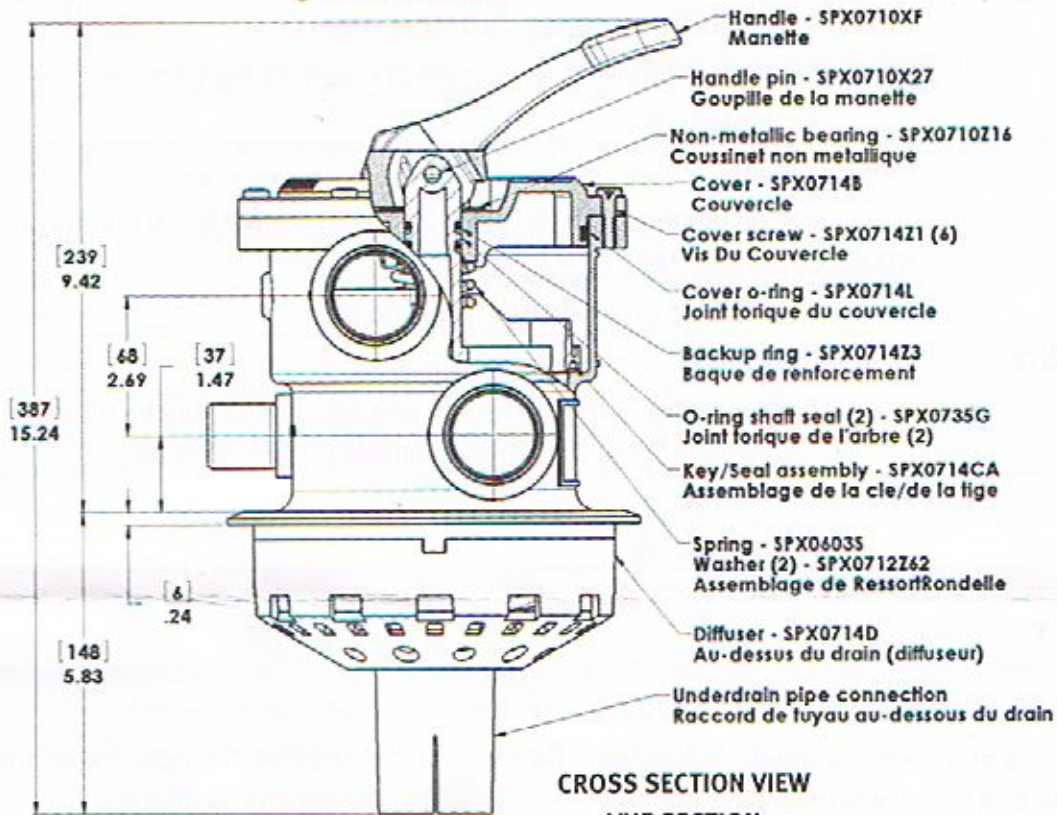


OWNER'S MANUAL

INSTALLATION, OPERATION & PARTS

 SP0714TC/SP0714TE/SP0714T Series *Vari-Flo*™ XL Valve

 Soupape Cyclac *Vari-Flo*™ Série SP0714TC/SP0714TE/SP0714T


CAUTION: SHUT OF PUMP BEFORE OPERATING VALVE OR SERVICING.

FUNCTIONS OF VALVE POSITIONS

VALVE SETTING	FLOW DIRECTION THROUGH VALVE
FILTER	PUMP - TOP - THROUGH FILTER - BOTTOM - RETURN For normal filtration and vacuuming pool through filter.
BACKWASH	PUMP - BOTTOM - THROUGH FILTER - TOP - WASTE For reversing flow for cleaning filter.
RINSE	PUMP - TOP - THROUGH FILTER - BOTTOM - WASTE For initial start-up cleaning, plus resetting filter bed after backwashing.
WASTE	PUMP - WASTE For vacuuming directly to waste, lowering pool level/draining pool.
CLOSED	NO CIRCULATION PAST PUMP PORT For shutting off all flow to filter and pool.
RECIRCULATE	PUMP - RETURN For bypassing filter, but circulating pool water. May be plumbed for "off-system" pool water access. Ideal for Jet-Air® fittings
WINTER	VALVE NOT IN USE For winterizing.

GENERAL

1. A pipe tap boss is provided for use of a pressure gauge. (Optional pipe plug provided)
2. PLUMBING: Piping stops are provided. **IMPORTANT: Do not over tighten pipe fittings. Proper fitting make-up is hand tight plus one to 1-1/2 turns maximum.** Always use Teflon pipe tape or Permatex No.2 for connections to provide a good, "living" seal. Add extra sealant if male pipe fitting is undersized.
3. WINTERIZING: Drain and winterize filter and pump per manufacturer's instructions. To drain water from Vari-Flo— depress and rotate valve handle and place handle pointer on raised portion of index hubs at any "Winter" position.
4. **SERVICING VALVE:** If it becomes necessary to service or gain access to the key or valve seat gasket:
 - a. Set handle in Winter position.
 - b. Remove cover screws.
 - c. Lift cover and key assembly out.
5. **RE-ASSEMBLY VALVE:**
 - a. Wipe debris from cover o-ring.
 - b. Set handle in Winter position. Align notch on cover with tab on body. Press down to seat assembly.
 - c. Secure assembly to body with cover screws. Start screw thread in existing thread in body. Tighten cover screws evenly and alternately. Do not over tighten.

USE ONLY HAYWARD GENUINE REPLACEMENT PARTS

SPECIAL INSTRUCTIONS:**1. Disassembly of key and handle assembly:**

- a. To remove handle pin: Depress handle to allow pin to clear indexing hub, and tap out handle pin with a drift pin or other solid pin bar
- b. Remove cover screws and remove parts. Note the proper position and sequence of all parts.

2. Re-assembly:

- a. Place valve key on a smooth, firm surface (place a cloth underneath to protect the flat sealing surface).
- b. Place parts on key and shaft in proper sequence—i.e., spring washer, spring, spring washer, cover, bearing, etc. Note: Make sure "Filter" position on cover is over "wedge" opening in key.
- c. Firmly pressing down and holding cover to depress heavy-duty spring, align handle (with pointer to Filter) and secure handle with pin.
- d. Assemble key assembly to valve as in (5)a ,b, and c above.

CLAMP INSTALLATION:

1. To install clamp, loosely pre-assemble both halves of the clamp with one screw and nut, turning the nut 2 or 3 turns.
2. Install the clamp around the tank and the valve flange, and then assemble the second screw and nut.
3. Tighten both sides of the clamp alternately and evenly. Use a properly sized large screwdriver. Tighten firmly to obtain a good seal.
4. Be sure to place the vinyl protector caps over the exposed ends of the screw.

USE ONLY HAYWARD GENUINE REPLACEMENT PARTS

FONCTIONS DES POSITIONS DE LA SOUPEPE

CALAGE DE LA SOUPEPE	DIRECTION DU FLUX À TRAVERS LA SOUPEPE
FILTRE (FILTER)	POMPE - HAUT - À TRAVERS LE FILTRE - BAS - RETOUR Pour la filtration et le vidage normaux de la piscine à travers le filtre
DECOLMATAGE (BACKWASH)	POMPE - BAS - À TRAVERS LE FILTRE - HAUT - DÉCHETS Pour inverser le flux afin de nettoyer le filtre.
RINCAGE (RINSE)	POMPE - HAUT - À TRAVERS LE FILTRE - BAS - DÉCHETS Pour le nettoyage de démarrage initial, plus la remise en place du lit du filtre après le reflux.
DÉCHETS (WASTE)	POMPE - DÉCHETS Pour vider directement aux déchets, abaissant le niveau de la piscine/vidangeant la piscine.
FERMÉ (CLOSED)	PAS DE CIRCULATION AU-DELÀ DE L'ORIFICE DE LA POMPE Pour fermer tout le flux au filtre et à la piscine.
RECIRCULATION (RECIRCULATE)	POMPE - RETOUR Pour contourner le filtre, mais faire circuler l'eau de la piscine. Peut être sondée pour accéder à l'eau de la piscine «hors système»
HIVERNATION	SOUPEPE NON UTILISEE

INSTRUCTIONS GÉNÉRALITÉS

FACULTIF: Le moyeu de connexion du tuyau est fourni pour le manomètre facultatif de l'affluent.

TUYAUTERIE: Des bouchons de tuyauterie sont fournis. **IMPORTANT: Ne pas visser trop fort les raccords, serrer à la main seulement, plus un tour et demi maximum.** Utiliser toujours pour les raccordements le ruban pour les tuyaux en Teflon ou Permatex n° 2 afin d'obtenir un bon joint étanche «vivant». Ajouter un scellant supplémentaire si le raccord mâle du tuyau est de taille inférieure.

HIVERNATION: Vidanger et hiverner le filtre et la pompe d'après les instructions du fabricant. Pour vidanger (l'eau de la soupape Vari-Flo—enfoncez et tournez la manette de la soupape et placez l'indicateur sur la position «HIVER».

SOUPEPE D'ENTRETIEN: S'il devient nécessaire d'entretenir ou d'accéder à la clé ou à la graniture du siège de la soupape:

- Placer la manette dans la position Hiver.
- Enlever les vis du couvercle.
- Soulever le couvercle et enlever l'assemblage de la clé.

RE-ASSEMBLAGE:

- Placer le joint torique du couvercle.
- Manette dans la position Hiver. Le bord plat de la tige de la vis du couvercle devrait s'aligner avec le bord plat de la tige de la vis du corps.
- Fixer l'assemblage au corps avec les vis du couvercle. Resserrer uniformément et alternativement les vis du couvercle. Ne pas trop serrer.

USE ONLY HAYWARD GENUINE REPLACEMENT PARTS

INSTRUCTIONS SPÉCIALES:

Pour démonter l'assemblage de la clé et de la manette.

- a. Pour enlever la goupille de la manette—Enfoncer la manette pour permettre à la goupille de dégager le moyeu des indices, et pousser vers l'extérieur la goupille de la manette avec un chasse-goupille ou autre barre de goupille solide.
- b. Retirer les vis du couvercle et retirer les pièces. Noter la position appropriée et l'ordre de toutes les pièces.

Re-Assemblage:

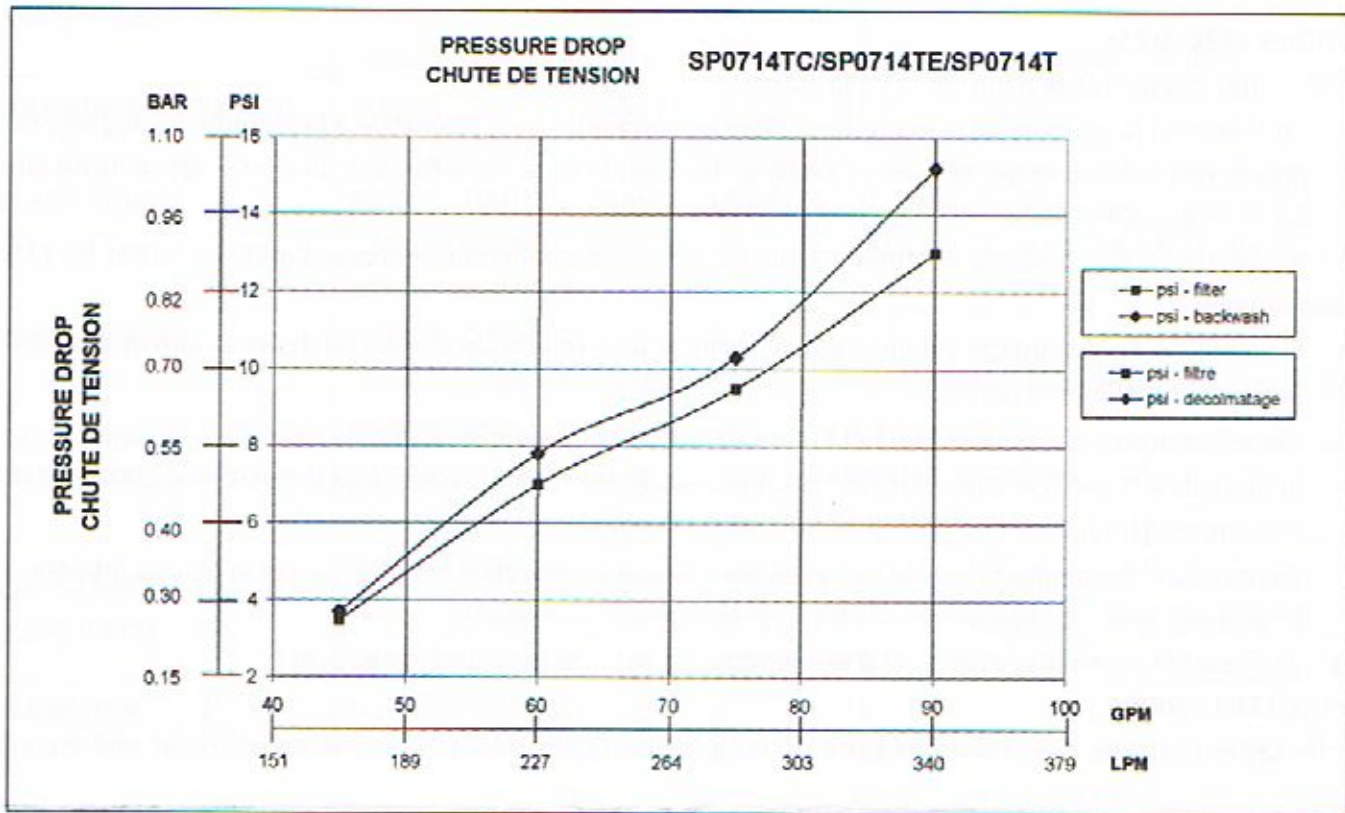
- a. Placer la clé de la soupape sur une surface ferme et unie (placer un chiffon au-dessous afin de protéger la surface de scellement plate).
- b. Placer les pièces situées sur la clé et l'arbre dans l'ordre approprié—c.-à-d. la rondelle à ressort, le ressort, la rondelle à ressort, le couvercle, le coussinet, etc. Remarque: S'assurer que la position du filtre sur le couvercle se trouve sur l'ouverture de la «cafe» dans la clé.
- c. En pressant fermement vers le bas et en maintenant le couvercle afin d'enfoncer le ressort robuste, aligner la manette (avec l'indicateur vers le filtre) et la fixer avec la goupille.
- d. Assembler l'assemblage de la clé à la soupape, tel qu'il est indiqué à (5) a, b, et c.

INSTALLER LA BRIDE:

Pour installer la bride, préassembler sans serrage les deux moitiés de la bride en utilisant une vis et un écrou et tourner l'écrou 2 ou 3 tours.

Installer la bride autour de la bride du réservoir et de la vanne et assembler la deuxième vis et son écrou. Serrer alternativement et uniformément les deux côtés de la bride. Utiliser un gros tournevis de dimension appropriée et serrer fermement pour obtenir une bonne étanchéité.

S'assurer de placer les capuchons de protection en vinyle sur les extrémités des vis.



USE ONLY HAYWARD GENUINE REPLACEMENT PARTS

HAYWARD® LIMITED WARRANTY

To Buyer, as original purchaser of this equipment, Hayward Pool Products, 620 Division Street, Elizabeth, New Jersey, warrants its products free from defects in materials and workmanship for a period of **ONE (1)** year from the date of purchase.

Parts which fail or become defective during the warranty period, except as a result of freezing, negligence, improper installation, use, or care, shall be repaired or replaced, at our option, without charge, within 90 days of the receipt of defective product, barring unforeseen delays.

To obtain warranty replacements or repair, defective components or parts should be returned, transportation paid, to the place of purchase, or to the nearest authorized Hayward service center. For further Hayward dealer or service center information, contact Hayward customer service department. No returns may be made directly to the factory without the express written authorization of Hayward Pool Products.

To original purchasers of this equipment, Hayward Pool Products warrants its products to be free from defects in materials and workmanship for a period of **ONE (1)** year from the date of purchase.

Filters which become defective during the warranty period, except as a result of freezing, negligence, improper installation, use or care, shall be repaired or replaced, at our option, without charge.

All other conditions and terms of the standard warranty apply.

Hayward shall not be responsible for cartage, removal and/or reinstallation labor or any other such costs incurred in obtaining warranty replacements.

The Hayward Pool Products warranty does not apply to components manufactured by others. For such products, the warranty established by the respective manufacturer will apply.

Some states do not allow a limitation on how long an implied warranty lasts, or the exclusion or limitation of incidental or consequential damages, so the above limitation or exclusion may not apply to you.

This warranty gives you specific legal rights, and you may also have other rights, which vary from state to state.

*Supersedes all previous publications.

Hayward Pool Products
620 Division Street
Elizabeth, NJ 07207

USE ONLY HAYWARD GENUINE REPLACEMENT PARTS

PRODUCT REGISTRATION
(Retain For Your Records)

DATE OF INSTALLATION _____

DETACH HERE: Fill out bottom portion completely and mail within 10 days of purchase/installation or register online.

Top Mount Multiport Valve

Warranty Card Registration

Register online at www.haywardnet.com

Please Print Clearly:

First Name _____ Last Name: _____

Street Address _____

City _____ State _____ Zip _____

Phone Number: _____ Purchase Date: _____

E-mail Address _____

Model Number: _____

Pool Capacity _____ (U.S. Gallons)

Please include me on all e-mail communications regarding Hayward Equipment or promotions.

Mail to: Hayward Pool Products, 620 Division Street, Elizabeth, NJ 07207

Attn: Warranty Dept

Years Pool has been in service
 1 year or less 2-3 4-5 6-10 11-15 16

Purchased from
 Builder Retailer Pool Service Internet/Catalog

Company Name _____

Address _____

City _____ State _____ Zip _____

Phone _____

Type of Pool:
 Concrete/Gunite Vinyl Fiberglass Other _____

New Installation Replacement

Installation for:
 In ground Above Ground Spa