



Emaux E-Power
Variable Speed Pump

ENERGY EFFICIENCY PUMP AT ALL TIMES

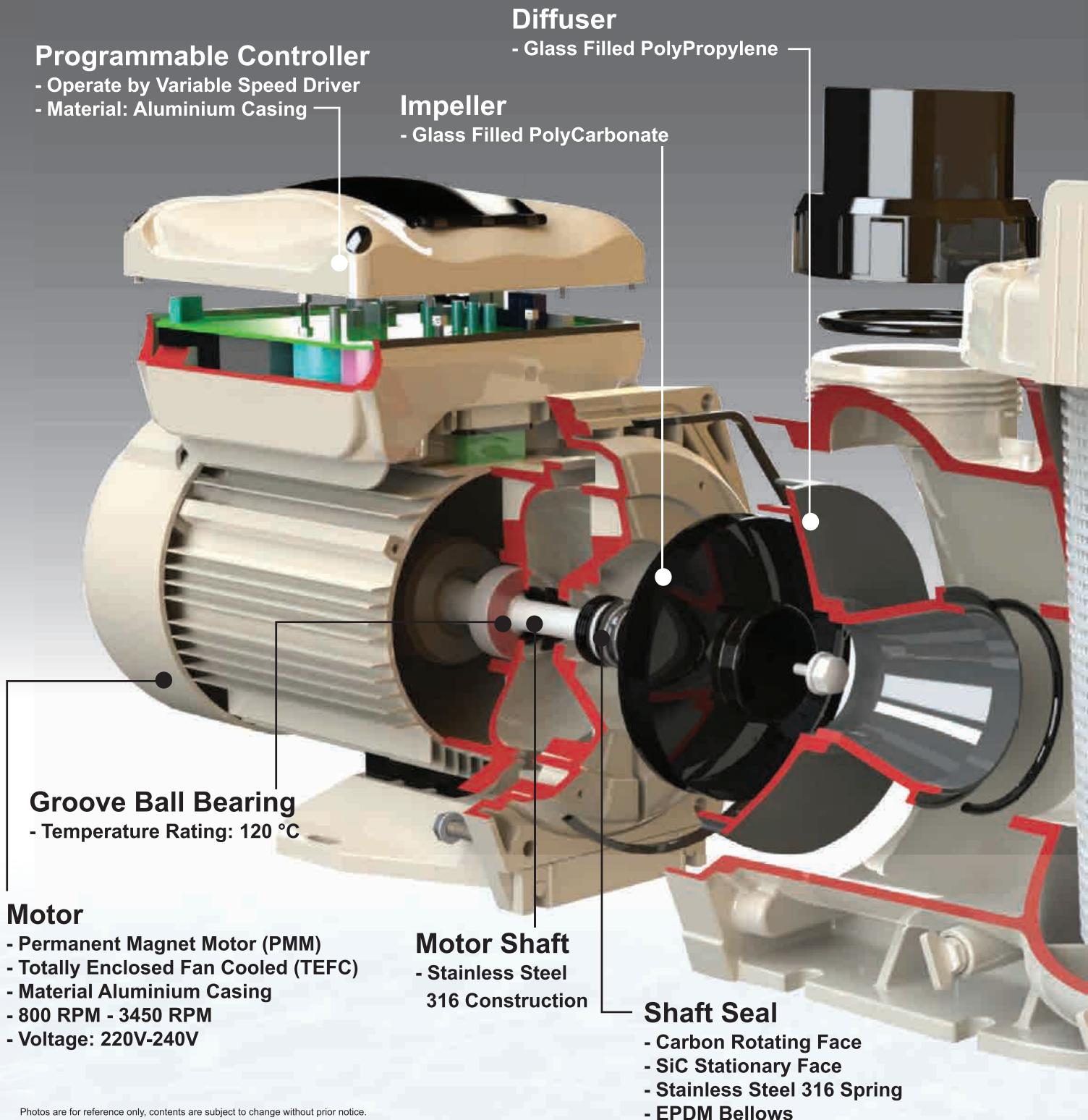
*S*uper Quiet Operation
*R*obust and Reliable
*S*uperior Energy Saving Technology
*U*ser Friendly Programming
*L*atest Hydraulic Design to Maximize
your Investment



Advantages of **Variable Speed vs Traditional Single Speed**

Emaux E-Power Variable Speed Pump reduces the energy usage of your pool, spa, waterfalls, or fountains. The saving due to higher efficiency, provides saving from over-usage and lower equipment maintenance cost.

Traditional single speed pump runs at maximum load continuously, inefficient and high running cost compared to the Emaux EPV range. Reduced speeds provides slower water circulation rates puts less strain on the complete installation such as filter, sanitization and plumbing. It reduces the wear and tear factor ending in saving to the home owner.



Programmable Controller

- Operate by Variable Speed Driver
- Material: Aluminium Casing

Diffuser

- Glass Filled PolyPropylene

Impeller

- Glass Filled PolyCarbonate

Groove Ball Bearing

- Temperature Rating: 120 °C

Motor

- Permanent Magnet Motor (PMM)
- Totally Enclosed Fan Cooled (TEFC)
- Material Aluminium Casing
- 800 RPM - 3450 RPM
- Voltage: 220V-240V

Motor Shaft

- Stainless Steel
316 Construction

Shaft Seal

- Carbon Rotating Face
- SiC Stationary Face
- Stainless Steel 316 Spring
- EPDM Bellows

Motor Advantage

Emaux E-Power Variable Speed Pump utilizes the latest Permanent Magnet Motors (PMM) technology, it produces a magnetic field between the rotor and windings. The energy saving is derived from the ability to reduce the RPM of the motor itself. The standard motor consumes electricity to induce the magnetic field into the rotor; on the other hand, PMM motor gains efficiency by the magnets working to spin the rotor, which achieves efficiency ratings of 90%*.

Transparent Lid

- Allow "See Thru" Quick Inspection

Ring Locking

- Simple Maintenance

O-Ring

- High Resistance
Nitrile O-Ring

2" / 2.5"

Union Connections

Basket

- Enlarged 5 Litre Strainer

Pump Body

- Glass Filled Acrylonitrile
Butadiene Styrene

Energy Saving

Most of energy saving comes from the ability to program the pump and reach the ideal flow rate by scheduling the E-Power Variable Speed Pump. Power consumption reduces as pump speed and water flow reduces. Reducing the speed of your pump by half, the flow rate also drops to half, but the power consumption of the pump is reduced 85%*.

Model: EPV-150

Speed (RPM)	Flow (LPM)	Efficiency (Liter/Watt)	Flow (GPM)	Efficiency (Gallon/Watt)	Power (Watt)
900	101	121	27	32	50
1,500	207	95	55	25	130
2,500	368	44	97	12	505
2,900	417	29	110	8	850
3,400	509	26	135	7	1190

Noise Level

With the advanced hydraulic design, water moves much more efficiently and the operation is whisper quiet with the E-Power Variable Speed Pump operating at lower speeds. The Permanent Magnet Motor technology eliminates excessive motor noise; E-Power Variable Speed Pump brings you to another level of satisfaction.

Application & Installation

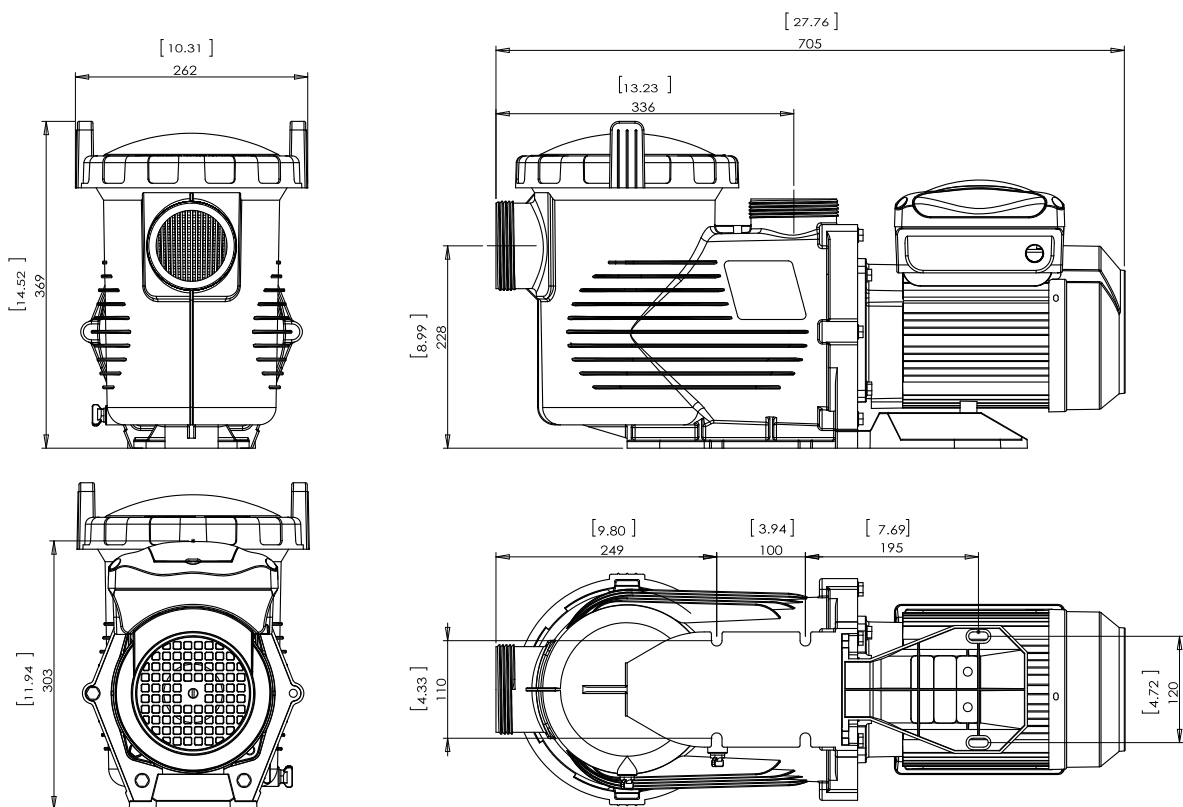
Emaux E-Power Variable Speed Pump maximizes the efficiency of your pool filtration system with the aid of the one touch controller. The presettable direct speed controller enables the homeowner to manage their usage with a press of a single button to schedule their water system with piece of mind. Crystal clear quality pool water is provided with Emaux E-Power Variable Speed Pumps.



Product Information & Dimension

Code 220V-240V 50Hz/60Hz	Model Code	Connection Size		Input Power (Max.)	Horsepower	Weight(kg)
88021105	EPV100	2 inch	2.5 inch	1.10kW	1.0hp	22.00
88021107	EPV150	2 inch	2.5 inch	1.50kW	1.5hp	23.00
88021108	EPV200	2 inch	2.5 inch	1.80kW	2.0hp	24.00
88021109	EPV300	2 inch	2.5 inch	2.20kW	3.0hp	25.00

Overall Dimension



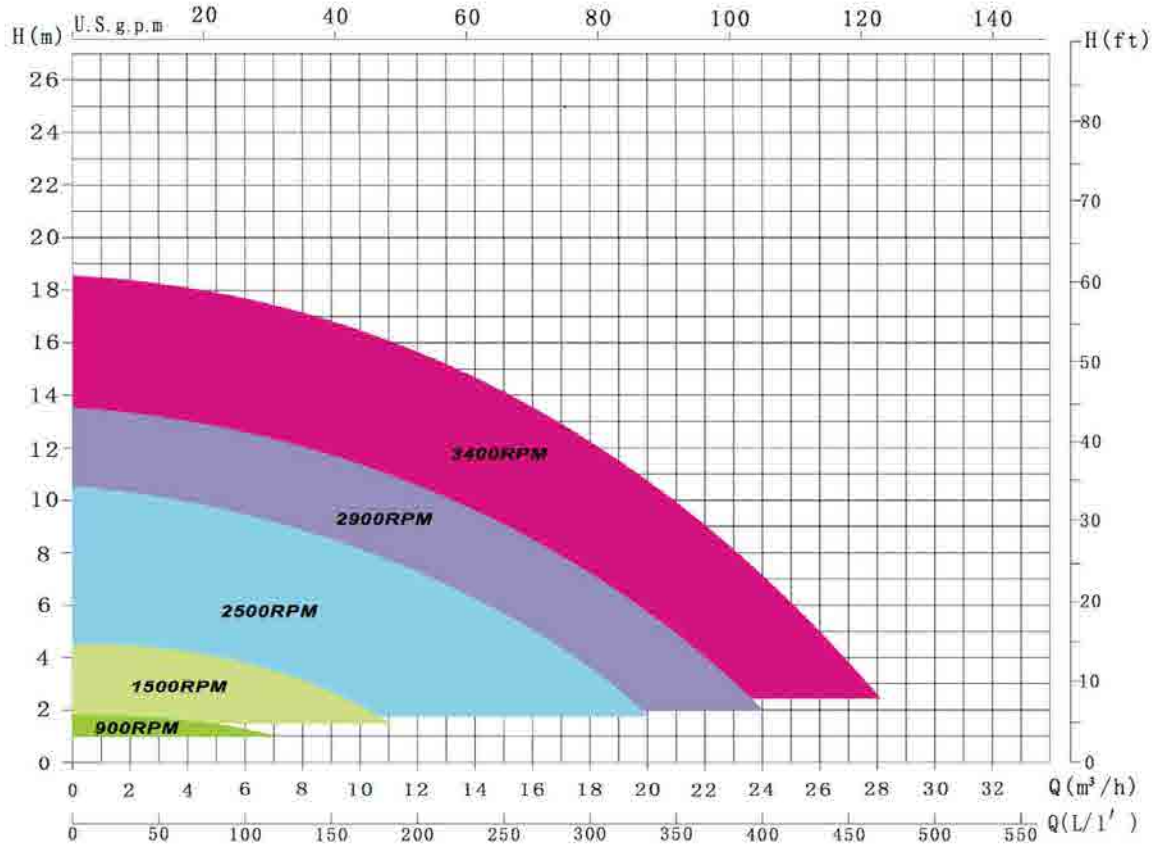
RoHS
COMPLIANT
2002/95/EC



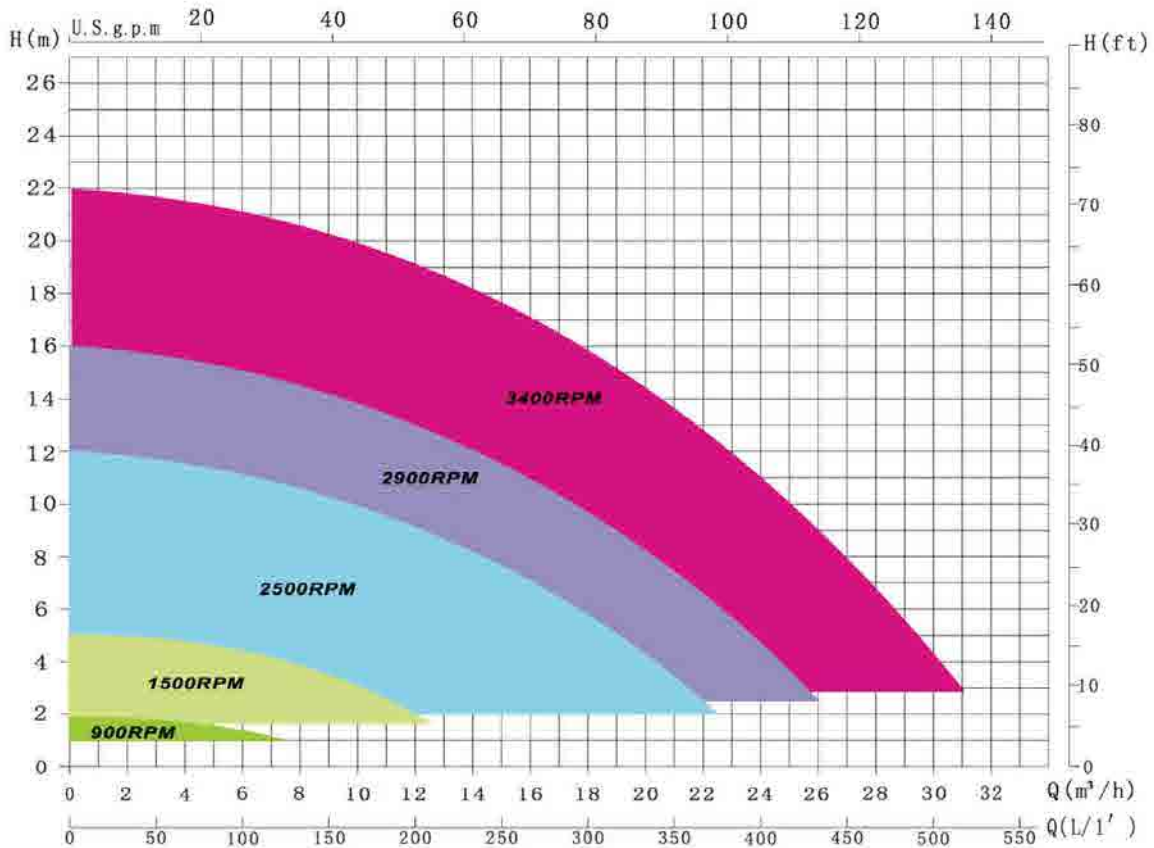
SAA SASO

Performance Data

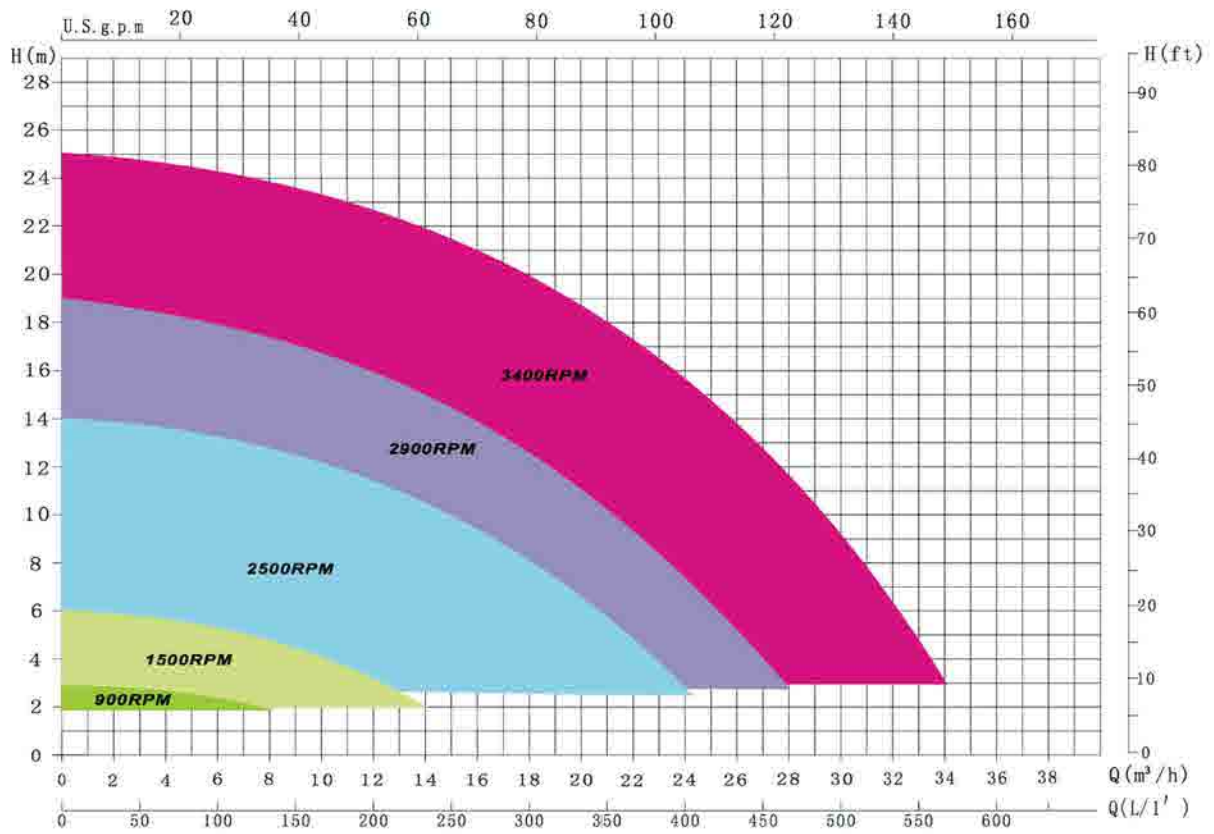
The performance advantages of E-Power Variable Speed Pump goes better than the energy saving. It is much quieter, requires less maintenance, has longer equipment life, and increase the effectiveness of the filter by slower water filtration rates.



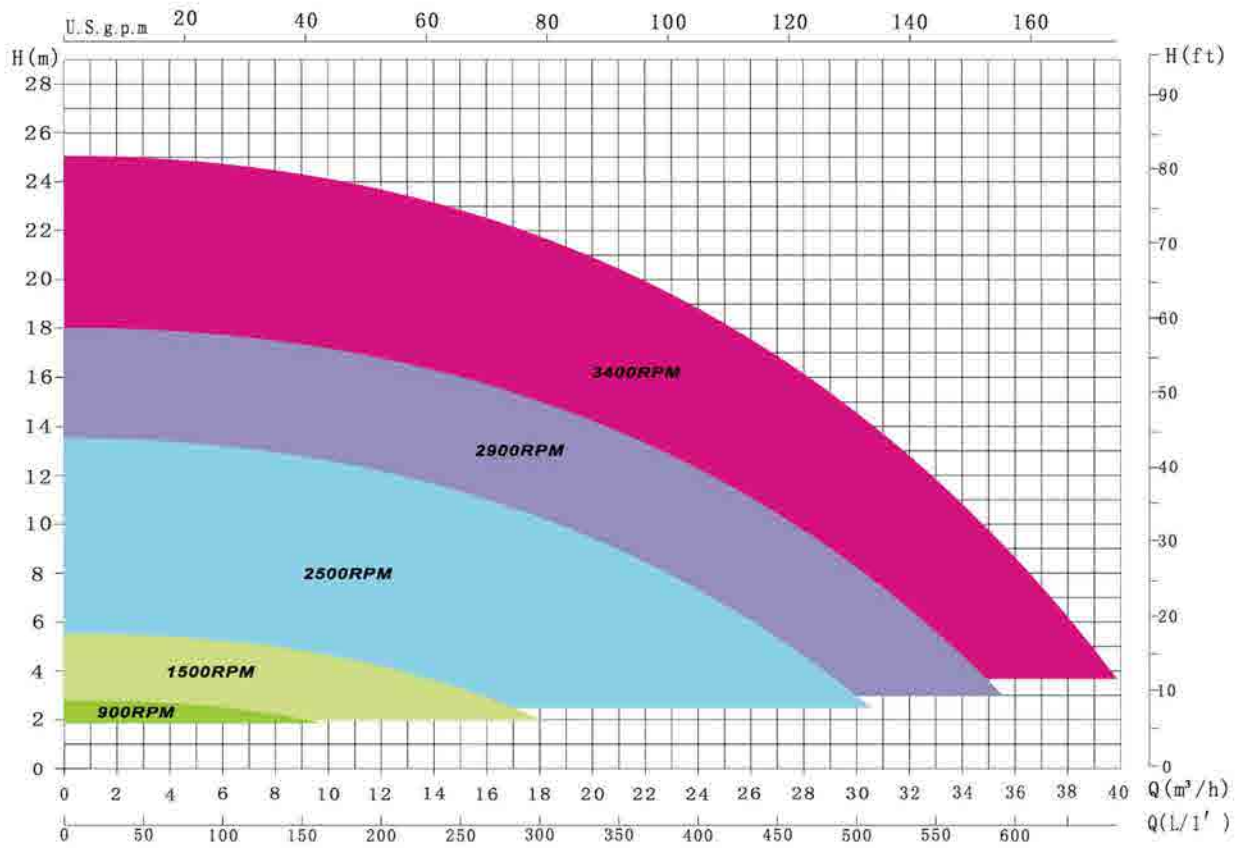
EPV100 230V-50Hz/60Hz



EPV150 230V-50Hz/60Hz



EPV200 230V-50Hz/60Hz



EPV300 230V-50Hz/60Hz

EMAUX WATER TECHNOLOGY

Over 35 years of engineering experience in Water Technology, providing expert solution in all water related matters based on our innovative ideas, automated production processes, and professionalism. Emaux is the leading water technology company that incorporates R & D, Production, and Sales under one roof.

Available from:

 **Emaux**
water technology

www.emauxgroup.com

Waterpark & Aquarium / Competition Pool / Residential Pool / Commercial Pool / Water Treatment / Water Feature

All specifications are subject to change without notice © Copyright 2013 Emaux Swimming Pool Equipment Co., Ltd

Photos are for reference only, contents are subject to change without prior notice.