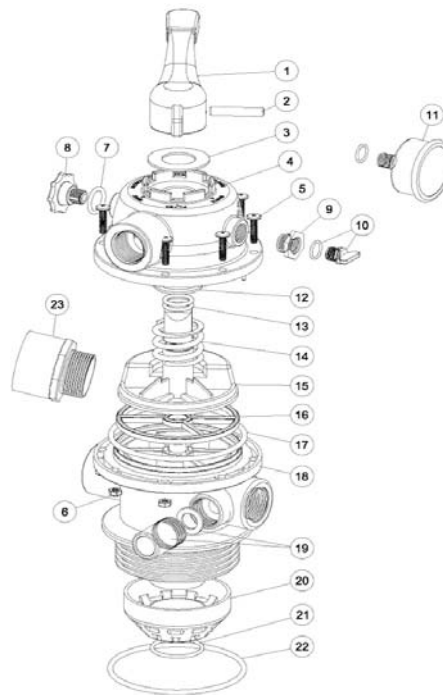


Not all parts on the list are sold. Generally O-rings and gaskets are available. Please see our website for unions and their O-rings, pressure gauges, and clear-view optics.

Other parts for unions are not available separately, please see the unions on our website.



Key No.	Code	Part No.	Description	Piece(s) Required
1	20650510505	01013042	Handle	1
2	20650510510	03018010	Pin for Handle	1
3	20650510045	01181001	Washer for Handle	1
4	20650510515	01270002	1.5" High-Pressure Valve Cover	1
5	20650510520	03011033	M6 x 25 Screw with Nut	8
6	20650510525	03013001	M6 Nut	8
7		02020015	O-Ring for Pressure Gauge	1
8	20650510530	01013044	Air Release Valve	1
9	20650510175	89280120	Drain Plug Fitting	1
10	20650510180	89021307	Drain Plug with O-Ring	1
11	20650511040	06011031	S/S Pressure Gauge with O-ring (100Psi)	1
12	20650510085	01181002	Washer for Spring	1
13	20650510535	02010001	O-Ring for Rotor	2
14	20650510215	03014014	Spring for Valve	1
15	20650510540	01021005	Rotor	1
16	20650510545	02011012	Spider Gasket	1
17	20650510550	02011144	O-Ring for 1.5" High-Pressure Valve Body	1
18	20650510555	01020008	1.5" High-Pressure Valve Body Assembly	1
19	20320510245	89280104	Sight Glass with O-Ring	1
20	20650510560	01013043	Diffuser	1
21	20650510565	02011016	O-Ring for Diffuser	1
22	20650510570	02020024	O-Ring	1
23	20650510575	01150001	1" Union(A)	3
23	20650510580	01150050	1" Union(E)	3